

PC-HD28

CAMERA SPECIFICATIONS

The PC-HD28 side viewing camera was created for a variety of industrial applications. Designed to be utilized as a standalone device or easily incorporated into a larger solution as an OEM system without giving up performance. The camera housing is 28mm diameter made from stainless-steel and is waterproof up to the full length of cable. The camera utilizes a 1080p full HD 1/4.4" CMOS sensor with an electronic rolling shutter at speeds up to 1/100,000 per second and adjustable exposure. Other features include a toolless focus lens and 6 super-bright LEDs for shadowless illumination.

Multiple options are available for the control unit including a portable 7" Monitor Controller or a Desktop Controller made from rugged anodized black aluminum with non-slip rubber feet. Both options include built in storage and DVR with full image capture, recording and playback capabilities along with multiple outputs.

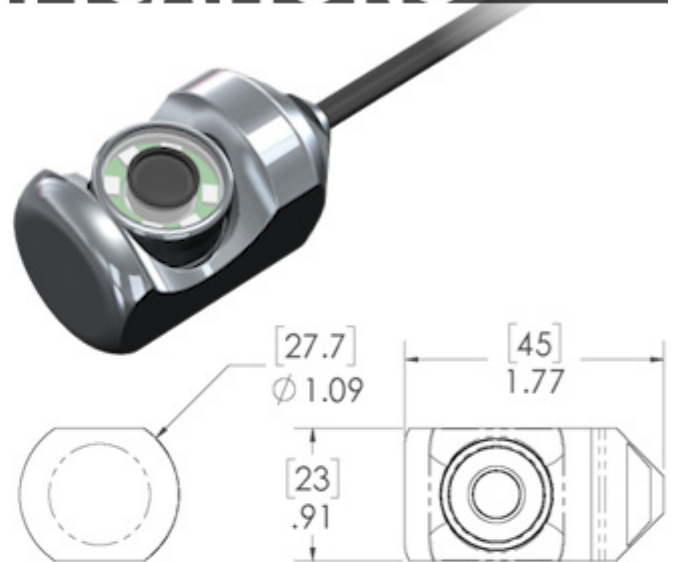


Image Sensor	1/4.4" CMOS
Total Pixels	2304 H x 1536 V
Active Pixels	2304 H x 1296 V
Pixel Size	2.2µm x 2.2µm
Sensing Area	5.07mm H x 3.38mm V
Synchronization	Internal
Sensitivity	0.2 lux (30 IRE)/F1.2
Responsivity	2.0V/lux-sec
Scanning Mode	Progressive
Shutter Type	ERS
Shutter Speed	Auto: 1/60 ~1/100,000 sec
Back Light Compensation	Auto
Dynamic Range	69.5 dB
Signal to Noise Ratio	39 dB
Gain Control	Auto (switching)
White Balance	Auto
Operating Temperature	-20°C~70°C
Storage Temperature	-30°C~90°C
Cable Length	3m-15m [9.84'-49.21']
LED Illumination	Yes
Power Consumption	< 200mA

***See controller documentation for complete system specifications**